



BHARATIYA VIDYA BHAVAN'S MEHTA VIDYALAYA

MEHTA SADAN, KASTURBA GANDHI MARG, NEW DELHI-110001

To,

28th June, 2018.

M/s _____

Subject :- Quotation for supply of Furniture for students.

Dear Sir,

Sealed Quotation are invited for supply of 800 students Chairs and 400 Tables as per the details as on before 10th July, 2018. The Specification can be verified from School website : www.bvbmehtavidyalaya.org

Yours Sincerely

Dr. (Mrs.) Anju Tandon
Principal

For Junior class rooms

Specification

Wood Teak

12 mm com. board
Century
1 mm Mica
Greenlam

Back Height = 27"
Seat Height with Top = 16"

Legs = 2" x 2"

Seat size - front 13 1/2" Back 12 1/2"

Frame Wood 3/4" x 1" ready

Below spot - 1/2" x 1" or 1" x 1" = 4 spot

Back Frame Spot = 1/4" x 1"
2" x 1"
2" x 1"

Seat size Margin
3/4" x 1/2" Half Round

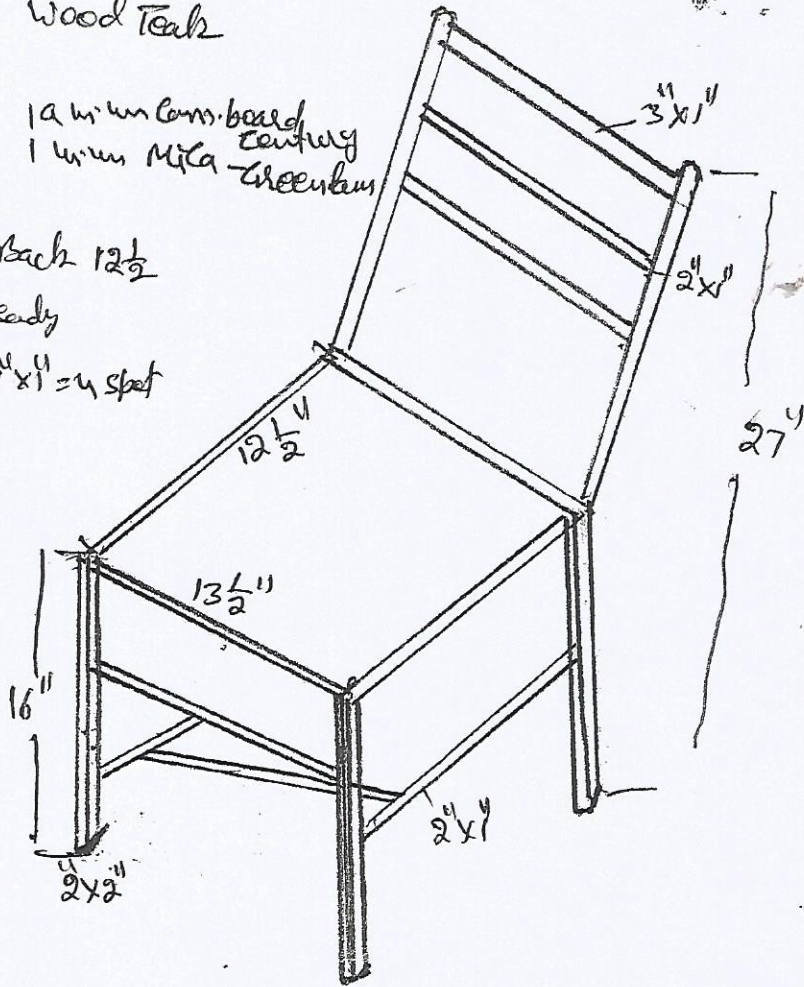


Table Teak Wood frame

Top - 38" x 18" com. board - century
Height - 25" 1 mm mica
Greenlam 18

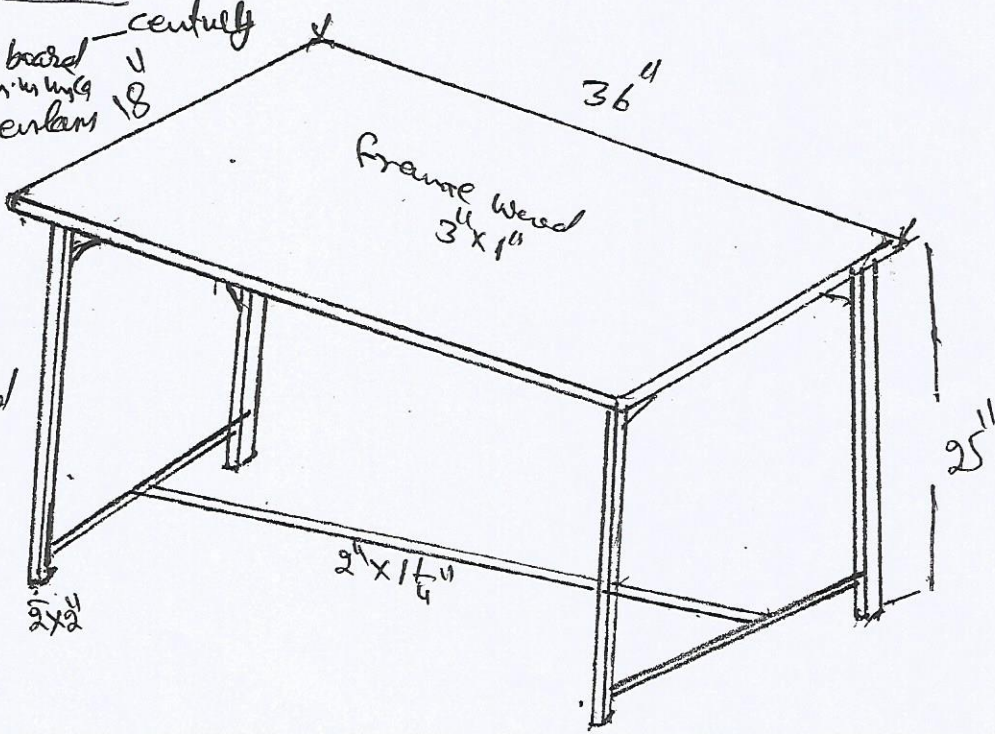
Below spot
2" x 1 1/4"

Legs. 2" x 2"

Top side Margin

3/4" x 1/2" Half Round

Corner 3"



For senior class rooms

Specification

Wood Teak

- Back Height = 36"
- Seat Height with seat = 18 1/2"
- Legs - 2 x 2"
- Seat size - 16" x 16" x 3/4" 19 mm. Ply board
- Seat frame - 3 x 1" 1 mm. Micr greenlam
- Below spot - 2" x 1" or 1" x 1" = 4 spot
- Centre spot - 2" x 1"
- Back frame spot - 3" x 1"
- 2" x 1"
- 2" x 1"
- Seat side margin 3/4" x 1/2" Half Round

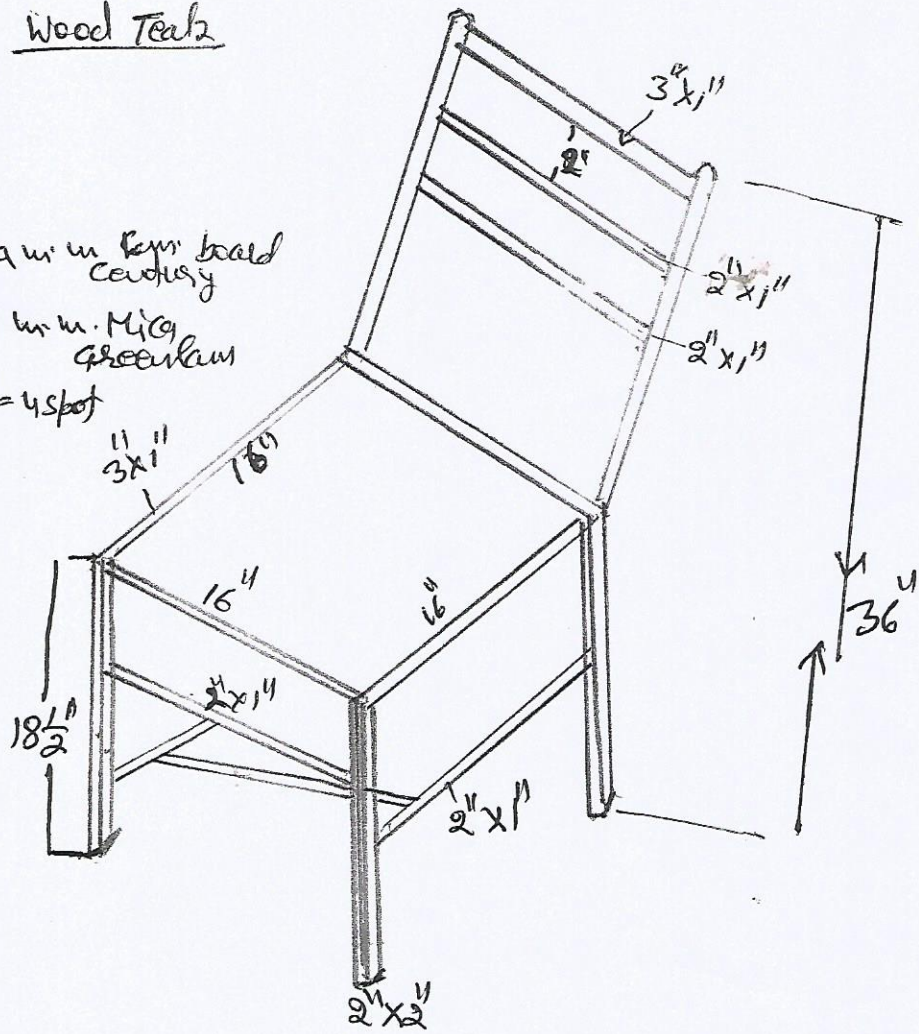
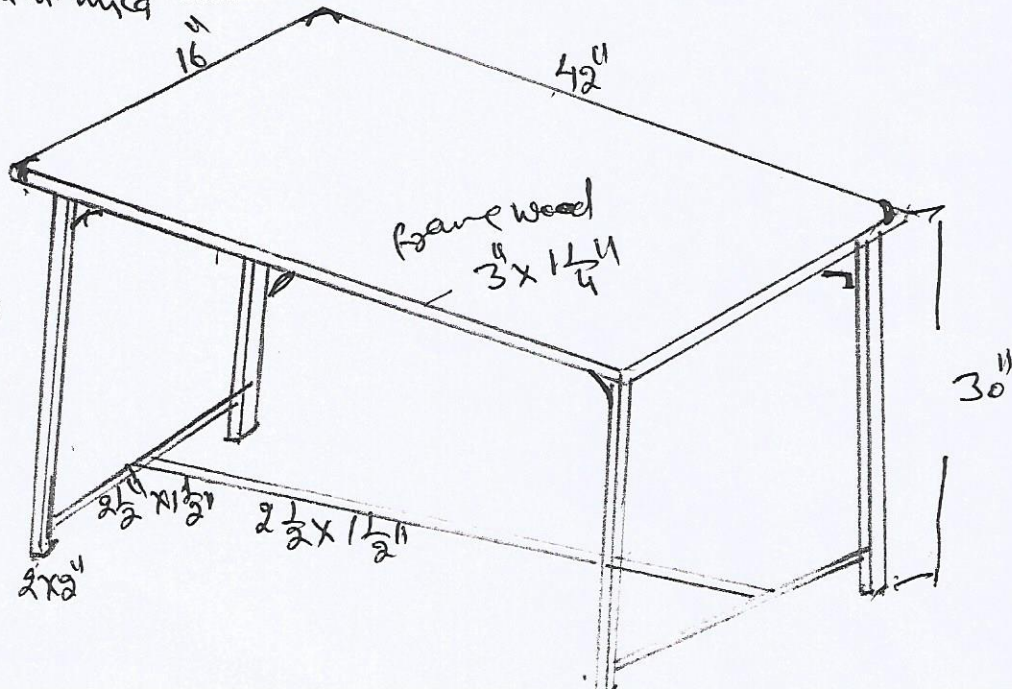


Table - Wood Teak

- Top - 42" x 16" 19 mm. Ply board
- Height with top = 30" 1 mm. micr - greenlam
- Frame - 3" x 1 1/4" 1 mm. micr - greenlam
- Top 1" out from side frame
- Legs - 2" x 2"
- Legs corner 3" x 3"
- Below spot = 2 1/2" x 1 1/2"
- Side Margin top 3/4" x 1/2" Round
- Corner Round



Handwritten signature and date: 2/10/25